

2.5 " Fire Hose Rack Assembly



Hose Rack Assembly Features

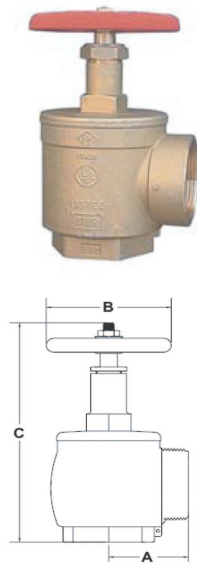
- Morson's Hose Rack Provides An immediate Water Source For Fire Control and Suppression.
- Morson's Steel Hose Rack Assembly UL Listed And FM Approved.
- Rack Is Made of steel , Red Enamel Finish, Heavy Duty Construction.
- Hose Is Held with Movable Pins And UL Listed Bars.
- Rack Is Equipped With Morson's 2.5" Industrial Fire Hose With Natural Rubber Lining Inside & 100 % High Tensile Strenght Virgin Yarns & Designed to Withstands Harsh Weather.
- Rack Is Equipped With Rack Nipple 2 1/2", Machined Brass.
- Rack Is Equipped With UL Listed Angle Hose Valve 2 1/2".
- Morson Hose Reels Are Hydraulically Tested To 500 PSI.
- Rack Is Equipped Wth UL Listed Fog Nozzle 2 1/2", Machined Brass.
- Hose Is Easily Removed By Pulling Toward Fire Area. Instantly Ready For Action When Completely Removed, And Valve Is Open.

Hose Specifications



- Industrial Fire Hose PP Plain Weaving Or PS Twill Weaving Outer Jacket & Super Fine Natural Rubber Inside Linning.
- The Spun Polyester Yarn In The Jacket Offers Superior Strenght And wear Characteristics.
- Morson's 2.5" Fire Hose Is NFPA Compliant As An Attack Hose.
- Morson's 2.5 " Fire Hose's Working Pressure Is 16 Bar.
- Morson's 2.5 " Fire Hose's Burst Pressure Is Over 40 Bar.



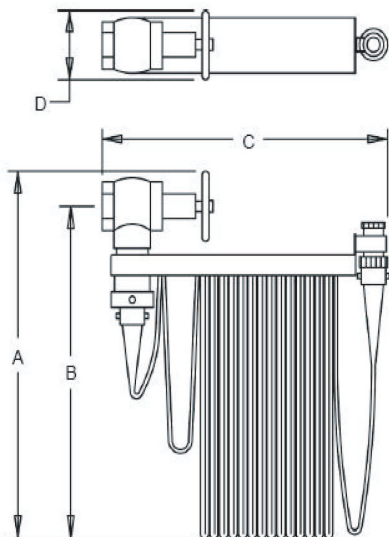


2.5" Angle Hose Valve

- Morson Angle Hose Valve Is Designed For Use In Piping System Where It Is Necessary To Access The System For A Fire Hose connection.
- Typical Applications Are Water Supplies To Fire Hoses.
- Morson Angle Hose Valve Is 2.5", Female Inlet & Female Outlet Configuration.
- Morson Angle Hose Valve Working Pressure Is 16 Bars
- Morson Angle Valve Is Manufactured From Cast Brass.
- Dimensions As Per Figure Shown Are:
A = 80 mm , B = 127 mm & C = 235 mm.
- Model: AHV- 205-ULFM, Is UL Listed And FM Approved.

Hose Rack & Cabinet Dimensions

- Morson Swinging Type Standard Hose Reel Dimensions As Shown Above, A = 762 mm , B = 685 mm , C = 548 mm & D = 127.
- Due To Continous Development Of Our products Dimensions Are Subject To Changes Without Prior Notice.
- Morson Fire Cabinet Is Made Of 1.25 mm Mild Steel , Red Polyester Electrostatic Powder Coated Finish.
- Morson Fire Cabinet Standard Dimentions Are 820 mm x 820 mm x 300 mm.



Morson Fire Cabinet



Morson 2.5" Nozzle



- Morson's 2.5" Rack Nozzle Is A UL Listed Fog Nozzle.
- Morson's 2.5" Rack Nozzle Is Made Brass.
- Model : MRS-NZ2.5-ULFM

