


**2.5 " Fire Hose reel
In Cabinet**



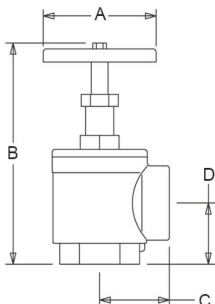
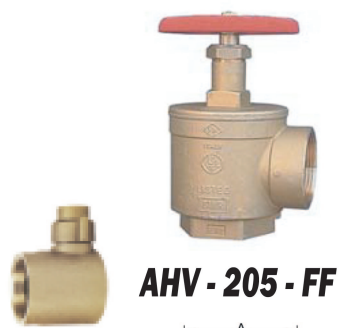
Hose Reel Features

- Hose Reel Swings 180 Degrees Easily.
- Reel Is Made of steel , Red Powdered Finish, Heavy Duty Construction.
- Compact Size, Smaller Reel Hub To Allow More Hose Storage.
- Hose Reel Is Equipped With Morson's 2.5" Industrial Fire Hose With Natural Rubber Lining Inside & 100 % High Tensile Strenght Virgin Yarns & Designed to Withstands Harsh Weather.
- Hose Reel Is Equipped With Morson's 2.5" Angle Valve For Controlling Water Inlet.
- Hose Reel Is Equipped With Morson's 2.5" Multi-Purpose Nozzle, British Standard, Jet / Spray / Off .
- Morson Hose Reels Are Hydraulically Tested To 500 PSI.
- Hose Is Double Rolled From Center Of length, Coupled To Morson's Angle Valve And Morson's Nozzle.
- Hose Is Easily Removed By Pulling Toward Fire Area. Instantly Ready For Action When Completely Removed, And Valve Is Open.

Hose Specifications

- 
- Industrial Fire Hose PP Plain Weaving Or PS Twill Weaving Outer Jacket & Super Fine Natural Rubber Inside Lining.
 - The Spun Polyester Yarn In The Jacket Offers Superior Strenght And wear Characteristics.
 - Morson's 2.5" Fire Hose Is NFPA Compliant As An Attack Hose.
 - Morson's 2.5 " Fire Hose's Working Pressure Is 16 Bar.
 - Morson's 2.5 " Fire Hose's Burst Pressure Is Over 46 Bar.





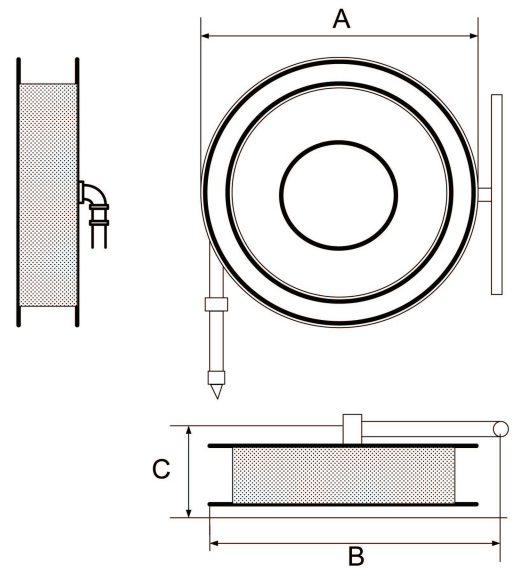
2.5" Angle Hose Valve

- Female x Female Angle Hose Valve Is Used With Hose Rack Assemblies To control The Flow Of Water At The Hose Station.
- Pressure Rating : 300 PSI.
- Construction : Cast Brass*.
- Inlet : Female NPT..
- Outlet : Female NPT.
- Size : 2 1/2" x 2 1/2".
- Dimensions : A = 5 -1/4", B = 11", C = 3 -1/4", D = 2 - 3/4".
- Model: AHV - 205 - FF
- Approvals : UL Listed
FM Approved.
- Angle Hose Valve Is Equipped With BS Instantaneous Coupling .



Hose Reel & Cabinet Dimensions

- Morson Swinging Type Standard Hose Reel Dimensions As Shown Above, A = 620 mm , B = 700mm & C = 250 mm.
- Due To Continous Development Of Our products Dimensions Are Subject To Changes Without Prior Notice.
- Morson Fire Cabinet Is Made Of Mild Steel , Red Polyester Electrostatic Powder Coated Finish.
- Morson Fire Cabinet Standard Dimensions Are 820 mm x 820 mm x 300 mm.



Morson Fire Cabinet



Morson 2.5" Nozzle

- Morson 2.5" Nozzle Is A British Standard Nozzle made Of Aluminum.
- Morson 2.5" Nozzle Is Multi-Purpose Nozzle Jet / Spray / Off.
- Model : MRS-NZ2.5



Contact Us At
sales@morsonfire.com



Morson Fire Engineering. All Rights Reserved. Specifications Are Subject To Changes Without Notice.

www.morsonfire.com

Morson Fire Hose Reels & Equipment