


**1.5 " Fire Hose reel
In Cabinet**



Hose Reel Features

- Hose Reel Swings 180 Degrees Easily.
- Reel Is Made of steel , Red Powdered Finish, Heavy Duty Construction.
- Compact Size, Smaller Reel Hub To Allow More Hose Storage.
- Hose Reel Is Equipped With Morson's 1.5" Industrial Fire Hose With Natural Rubber Lining Inside & 100 % High Tensile Strenght Virgin Yarns & Designed to Withstands Harsh Weather.
- Hose Reel Is Equipped With Morson's 1.5" Angle Valve For Controlling Water Inlet.
- Hose Reel Is Equipped With Morson's 1.5" Multi-Purpose Nozzle, American Standard, Jet / Spray / Off .
- Morson Hose Reels Are Hydraulically Tested To 500 PSI.
- Hose Is Double Rolled From Center Of length, Coupled To Morson's Angle Valve And Morson's Nozzle.
- Hose Is Easily Removed By Pulling Toward Fire Area. Instantly Ready For Action When Completely Removed, And Valve Is Open.

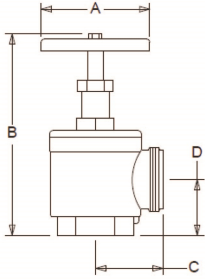
Hose Specifications

- 
- Industrial Fire Hose PP Plain Weaving Or PS Twill Weaving Outer Jacket & Super Fine Natural Rubber Inside Lining.
 - The Spun Polyester Yarn In The Jacket Offers Superior Strenght And wear Characteristics.
 - Morson's 1.5" Fire Hose Is NFPA Compliant As An Attack Hose.
 - Morson's 1.5 " Fire Hose's Working Pressure Is 16 Bar.
 - Morson's 1.5 " Fire Hose's Burst Pressure Is Over 46 Bar.





AHV - 105 - FM



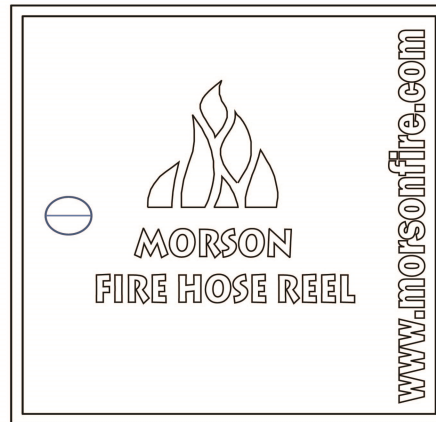
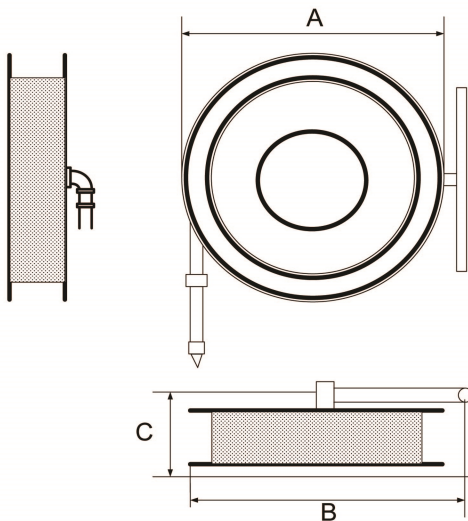
1.5" Angle Hose Valve

- Female x Male Angle Hose Valve Is Used With Hose Rack Assemblies To control The Flow Of Water At The Hose Station.
- Pressure Rating : 300 PSI.
- Construction : Cast Brass*.
- Inlet : Female NPT..
- Outlet : Male Hose Thread.
- Size : 1 1/2" x 1 1/2".
- Dimensions : A = 4", B = 7 -3/4", C = 2 -1/4", D = 2".
- Model: AHV - 105 - FM
- Approvals : UL Listed
FM Approved.



Hose Reel & Cabinet Dimensions

- Morson Swinging Type Standard Hose Reel Dimensions As Shown Above, A = 620 mm , B = 700mm & C = 250 mm.
- Due To Continous Development Of Our products Dimensions Are Subject To Changes Without Prior Notice.
- Morson Fire Cabinet Is Made Of Mild Steel , Red Polyester Electrostatic Powder Coated Finish.
- Morson Fire Cabinet Standard Dimensions Are 820 mm x 820 mm x 300 mm.



Morson 1.5" Nozzle



- Morson's 1.5" Rack & Reel Nozzle Is A Multi Purpose Nozzle.
- Morson's 1.5" Rack & Reel Nozzle Is Made Brass.
- Model : MRS-NZ1.5

