

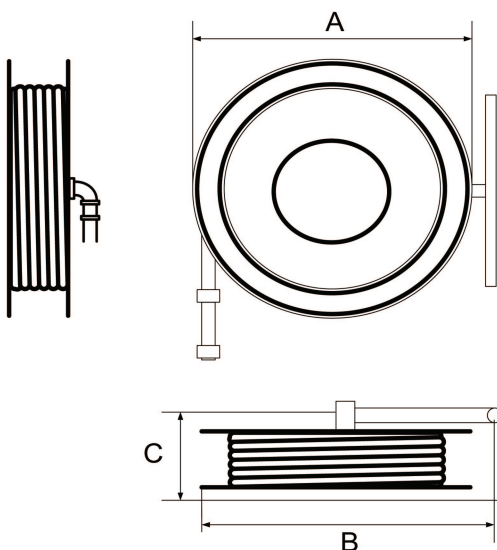
Morson Hosereels Are Designed And Manufactured In
Compliance With BS 5274 & BSEN 671

MORSON
1" Fire Hose reel With
Brass / Plastic Nozzle



Hose Reel & Cabinet Dimensions

- Morson Swinging Type Standard Hose Reel Dimensions As Shown Above, A = 620 mm , B = 630 mm & C = 250 mm.
- Due To Continous Development Of Our products Dimensions Are Subject To Changes Without Prior Notice.
- Morson Fire Cabinet Is Made Of 1.25 mm Mild Steel , Red Polyester Electrostatic Powder Coated Finish.
- Morson Fire Cabinet Standard Dimensions Are 820 mm x 820 mm x 300 mm.



Morson Fire Cabinet



Morson 1" Brass Nozzle



- Morson 1" Nozzle Is made Of Brass, Plastic Encapsulated.
- Morson 1" Nozzle Is Multi-Purpose Nozzle Jet / Spray / Off.
- Model : MRS-NZ1



Morson Hosereels Are Designed And Manufactured In
Compliance With BS 5274 & BSEN 671

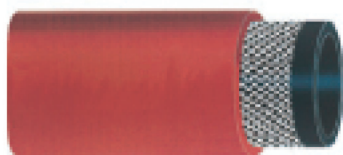
**1" Fire Hose reel
In Cabinet**



Hose Reel Features

- Hose Reel Swings 180 Degrees Easily.
- Reel Is Made of steel , Red Powdered Finish.
- Internal Water Ways Are Made of Brass and Chrome Plated For Corrosion Resistance.
- Hose Reel Is Equipped With Morson Double Braiding Quality Hose 30 Meters Long To BS 3169 & 5119.
- Hose Reel Is Equipped With Morson Multi-Purpose Nozzle Jet / Spray / Off. Two Models Are Available , Aluminum Or Brass Encapsulated With Plastic.
- Hose Reel Is Equipped With Morson Ball Valve For Controlling Water Inlet.
- Morson's Hose Reels Are Hydraulically Tested To 500 PSI.
- Morson's Hose Reels Can be Operated Without Fully Unwinding The Hose.

Hose Specifications



- A Molded Red Synthetic PVC Hose, Covered With A Two Braided Polyester Cords Reinforced.
- Morson Fire Hoses Are designed And Manufactured To Satisfy User As It Comprises Light Weight design, Flexible In Use, and Withstands Harsh Weather.
- Morson's 1" Fire Hose's Are Available In Black Or Red Colours.
- Morson's 1" Fire Hose's Working Pressure Is 16 Bar.
- Morson's 1" Fire Hose's Burst Pressure Is Over 40 Bar.



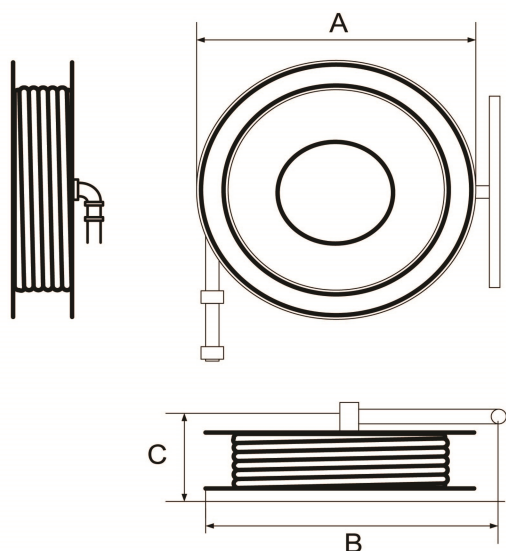
Morson Hosereels Are Designed And Manufactured In Compliance With BS 5274 & BSEN 671

**MORSON
1" Fire Hose reel With
Aluminum Nozzle**



Hose Reel & Cabinet Dimensions

- Morson Swinging Type Standard Hose Reel Dimensions As Shown Above, A = 620 mm , B = 630 mm & C = 250 mm.
- Due To Continous Development Of Our products Dimensions Are Subject To Changes Without Prior Notice.
- Morson Fire Cabinet Is Made Of 1.25 mm Mild Steel , Red Polyester Electrostatic Powder Coated Finish.
- Morson Fire Cabinet Standard Dimensions Are 820 mm x 820 mm x 300 mm.



Morson Fire Cabinet



Morson 1" Aluminum Nozzle



- Morson 1" American Type Nozzle Is made Of Aluminum.
- Morson 1" Nozzle Is Multi-Purpose Nozzle Jet / Spray / Off.
- Model : MRS-NZ2

